

» NOVOS 5 Temp LCD | Temp_rH LCD

Room temperature sensor with optional humidity

thermokon[®]
HOME OF SENSOR TECHNOLOGY

Datasheet

Subject to technical alteration
Issue date: 26.08.2020 • A110



novos

With design cover black (left), standard design design cover pure white(right)

» APPLICATION

Room sensor for recording room temperature and humidity (optional). The maintenance-free sensor creates the conditions for a pleasant indoor climate and well-being. Typical applications are schools, office buildings, hotels, cinemas or similar. The device has an LC display with color change function for displaying the measured values. The threshold values and display settings can be individually configured via the Thermokon NOVOSapp.

» TYPES AVAILABLE

Room sensor temperature – active TRV 0..10 V | TRA 4..20 mA

NOVOS 5 Temp LCD TRV
NOVOS 5 Temp LCD TRA

Room sensor temperature + humidity – active VV 0..10 V | AA 4..20 mA

NOVOS 5 Temp_rH LCD VV
NOVOS 5 Temp_rH LCD AA

» SECURITY ADVICE – CAUTION



The installation and assembly of electrical equipment should only be performed by authorized personnel.

The product should only be used for the intended application. Unauthorised modifications are prohibited! The product must not be used in relation with any equipment that in case of a failure may threaten, directly or indirectly, human health or life or result in danger to human beings, animals or assets. Ensure all power is disconnected before installing. Do not connect to live/operating equipment.

Please comply with

- Local laws, health & safety regulations, technical standards and regulations
- Condition of the device at the time of installation, to ensure safe installation
- This data sheet and installation manual

» NOTES ON DISPOSAL



As a component of a large-scale fixed installation, Thermokon products are intended to be used permanently as part of a building or a structure at a pre-defined and dedicated location, hence the Waste Electrical and Electronic Act (WEEE) is not applicable. However, most of the products may contain valuable materials that should be recycled and not disposed of as domestic waste. Please note the relevant regulations for local disposal.

» REMARKS TO ROOM SENSORS

Location and Accuracy of Room Sensors

The room sensor should be mounted in a suitable location for measuring accurate room temperature. The accuracy of the temperature measurement also depends directly on the temperature dynamics of the wall. It is important, that the back plate is completely flush to the wall so that the circulation of air occurs through the vents in the cover. Otherwise, deviations in temperature measurement will occur due to uncontrolled air circulation. Also the temperature sensor should not be covered by furniture or similar devices. Mounting next to doors (due to draught) or windows (due to colder outside wall) should be avoided. The temperature dynamics of the wall will influence the temperature measurement. Various wall types (brick, concrete, dividing and hollow brickwork) all have different behaviours with regards to thermal variations.

Surface and Flush Mounting

The temperature dynamics of the wall influence the measurement result of the sensor. Various wall types (brick, concrete, dividing and hollow brickwork) have different behaviours with regard to thermal variations. A solid concrete wall responds to thermal fluctuations within a room in a much slower way than a light-weight structure wall. Room temperature sensors installed in flush boxes have a longer response time to thermal variations. In extreme cases they detect the radiant heat of the wall even if the air temperature in the room is lower for example. The quicker the dynamics of the wall (temperature acceptance of the wall) or the longer the selected inquiry interval of the temperature sensor is the smaller the deviations limited in time are.

» BUILD-UP OF SELF-HEATING BY ELECTRICAL DISSIPATIVE POWER

Temperature sensors with electronic components always have a dissipative power, which affects the temperature measurement of the ambient air. The dissipation in active temperature sensors shows a linear increase with rising operating voltage. This dissipative power has to be considered when measuring temperature. In case of a fixed operating voltage ($\pm 0,2$ V) this is normally done by adding or reducing a constant offset value. As Thermokon transducers work with a variable operating voltage, only one operating voltage can be taken into consideration, for reasons of production engineering. Transducers 0..10 V / 4..20 mA have a standard setting at an operating voltage of 24 V =. That means, that at this voltage, the expected measuring error of the output signal will be the least. For other operating voltages, the offset error will be increased by a changing power loss of the sensor electronics. If a re-calibration should become necessary later directly on the sensor, this can be done by means of the NOVOSapp software and an optional Bluetooth interface. (additionally with sensors with BUS interface via an appropriate software variable).

Remark: Occurring draft leads to a better carrying-off of dissipative power at the sensor. Thus temporally limited fluctuations might occur upon temperature measurement.

» APPLICATION NOTICE FOR HUMIDITY SENSORS

Refrain from touching the sensitive humidity sensor/element. Touching the sensitive surface will void warranty.

For standard environmental conditions re-calibration is recommended once a year to maintain the specified accuracy.

When exposed to high ambient temperature and/or high levels of humidity or presence of aggressive gases (i.e. chlorine, ozone, ammonia) the sensor element may be affected and re-calibration may be required sooner than specified. Re-calibration and deterioration of the humidity sensor due to environmental conditions are not subject of the general warranty.

» TECHNICAL DATA

Measuring values	Temperature and humidity (optional)			
Output voltage (type-dependent)	TRV WV 1x/2x 0..10 V or 0..5 V, min load 10 kΩ (live-zero configuratio 1..10/2..10 V) configurable via Thermokon NOVOSapp			
Output Amp (type-dependent)	TRA AA 1x/2x 4..20 mA, max. load 500 Ω			
Power supply (type-dependent)	TRV WV 15..35 V = or 19..29 V ~ SELV		TRA AA 15..35 V = SELV	
Power consumption (type-dependent)	TRV WV typ. 0,4 W (24 V =) 0,8 VA (24 V ~)		TRA AA max. 0,5 W / 24 V =	
Measuring range humidity (type-dependent)	relative humidty (default) 0..100% rH	Enthalpy 0..85 KJ/kg	absolute humidity 0..50 0..80 g/m³,	dew point 0..+50 -20..+80 °C,
	configurable via Thermokon NOVOSapp			
Output signal range temp. *scaling analogue output	0..+50 °C (default setting), selectable from 4 temperature ranges -50..+50 0..+50 -15..+35 -20..+80 °C, configurable via NOVOSapp			
Accuracy temperature	±0,5K (typ. at 21 °C)			
Accuracy humidity (type-dependent)	±2% between 10..90% rH (typ. at 21 °C)			
Display	LCD 29x35 mm with RGB backlight			
Enclosure	PC V0, pure white, design cover pure white, other colours on request			
Protection	IP30 according to DIN EN 60529			
Cable entry	rear entry, breaking points bottom, drill mark top			
Connection electrical	tool-free mountable spring terminal, max. 1,5 mm²			
Ambient condition	-20..+70 °C, max. 85% non-condensing			
Mounting	surface mounted on flush-mounting box (Ø=60 mm) or to be mounted flat onto the surface using screws, base part can be mounted and wired separately			
Notes	configurable via NOVOSapp			

» PRODUCT TESTING AND CERTIFICATION




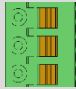
Declaration of conformity

The declaration of conformity of the products can be found on our website <https://www.thermokon.de/>.

» CONNECTION PLAN

The following connection diagrams show the assignment of measuring values to analog outputs in factory default. Output variables reconfigurable via Thermokon NOVOSapp.

Room sensor temperature – active TRV 0..10 V | TRA 4..20 mA

NOVOS 5 Temp TRV MultiRange	NOVOS 5 Temp TRA MultiRange
 —AOU1— Temperatur 0..10 V —GND— 0 V ⊥ —UB+— 15..35 V = / 19..29 V ~	 —AOI1— Temperatur 4..20 mA —GND— 0 V ⊥ —UB+— 15..35 V =

Room sensor temperature + humidity – active VV 0..10 V | AA 4..20 mA

NOVOS 5 Temp_rH VV MultiRange	NOVOS 5 Temp_rH AA MultiRange
 <ul style="list-style-type: none"> —AOU2— Temperatur 0..10 V —AOU1— Feuchte 0..10 V —GND— 0 V ⊥ —UB+— 15..35 V = / 19..29 V ~ 	 <ul style="list-style-type: none"> —AOI2— Temperatur 4..20 mA —AOI1— Feuchte 4..20 mA —GND— 0 V ⊥ —UB+— 15..35 V =

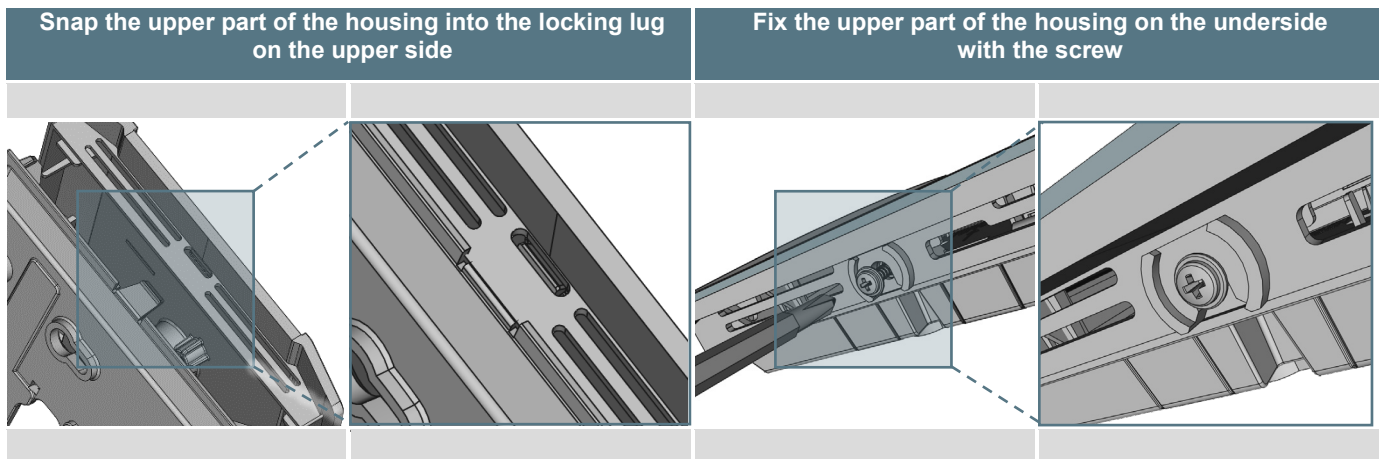
» MOUNTING ADVICES

Please make sure that the device is de-energized if you want to install it!

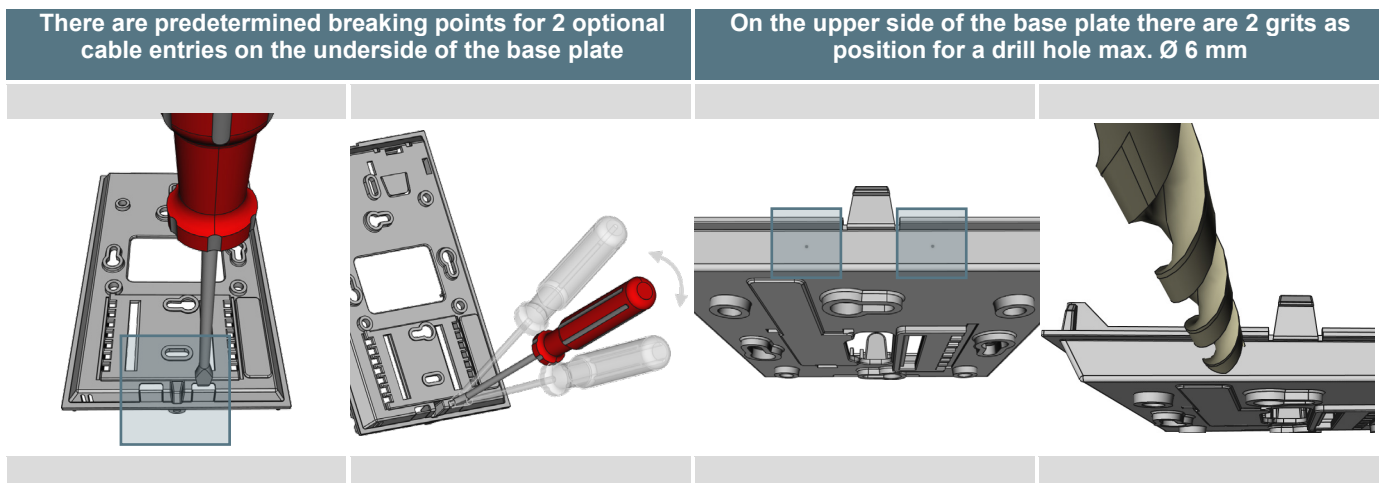
The installation can be performed on the flat wall surface or on a flush-mounted box. A representative place should be selected. Sunshine and draft, e.g. in the installation tube should be avoided, so that the measurement result is not falsified. Seal the end of the installation tube.

- For wiring, the upper part of the device must be removed from the base plate. Base plate and upper part are detachably connected to each other by means of locking lugs.
- The mounting of the base plate on the flat wall surface is done with rawplugs and screws.
- Finally, the device is attached to the base plate and fixed with the screw.

Housing open / close



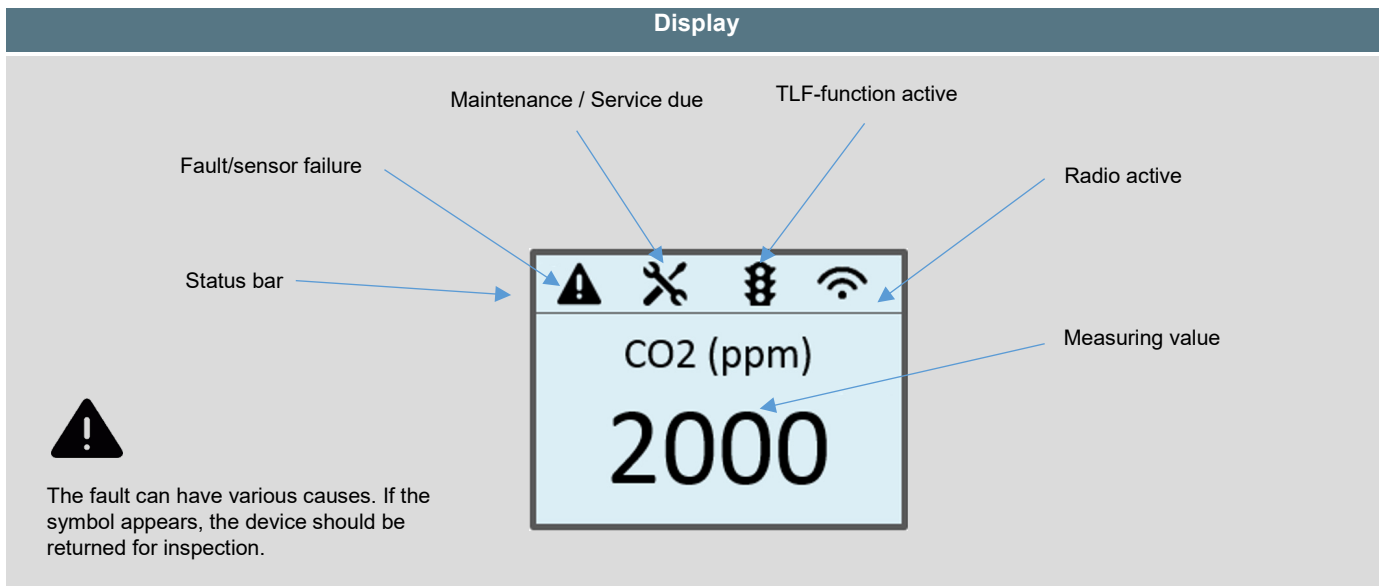
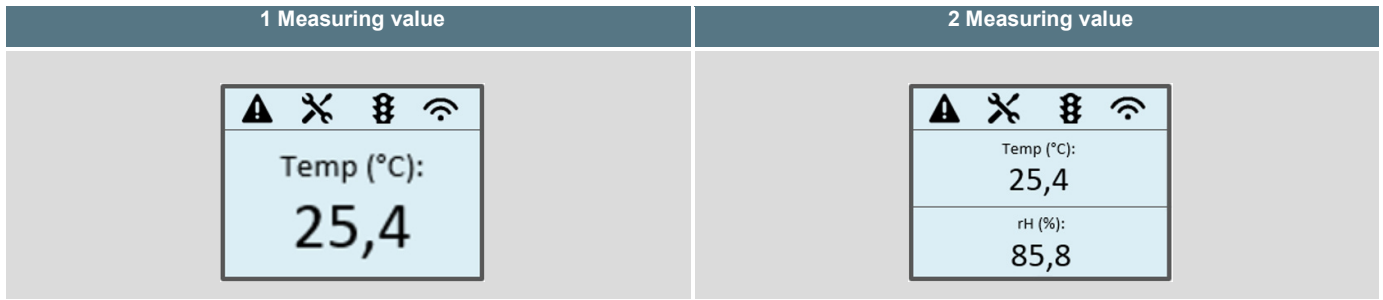
Cable entry



When using a drill, you should absolutely ensure that the base plate is firmly clamped. Before drilling, the pressure must be reduced and carefully drilled. A sudden break-through of the drill bit can be the result.

» **DISPLAY**

Depending on the device and the number of measured values, the display automatically scales. Parameters, such as the fading in / out of measured values, brightness and TLF function, are changed via the app. During the boot process, the software and hardware versions are displayed. Novos devices can visually display measured values via the RGB display. Thresholds for color changes can be configured through the app.



» **CONFIGURATION**



The Thermokon bluetooth dongle with micro-USB is required for communication between NOVOSapp and NOVOS products (Item No.: 668262). Commercial bluetooth dongles are not compatible.

Application-specific reconfiguration of the devices can be performed using the Thermokon NOVOSapp. The configuration performed in voltage-supplied state.

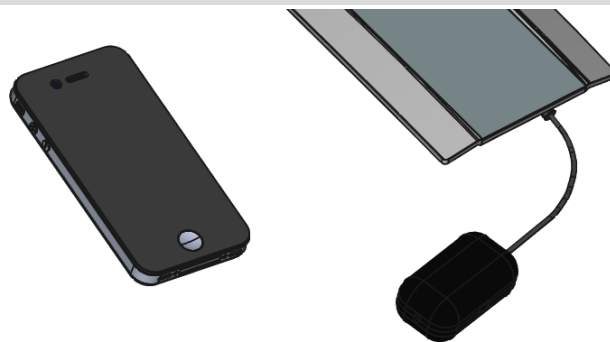
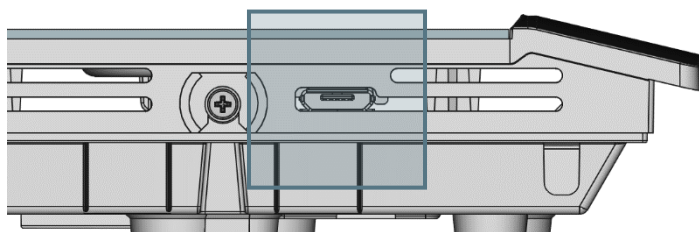
The configuration-app and the app description can be found in the Google Play Store or in the Apple App Store.

The following parameter can be changed via the app

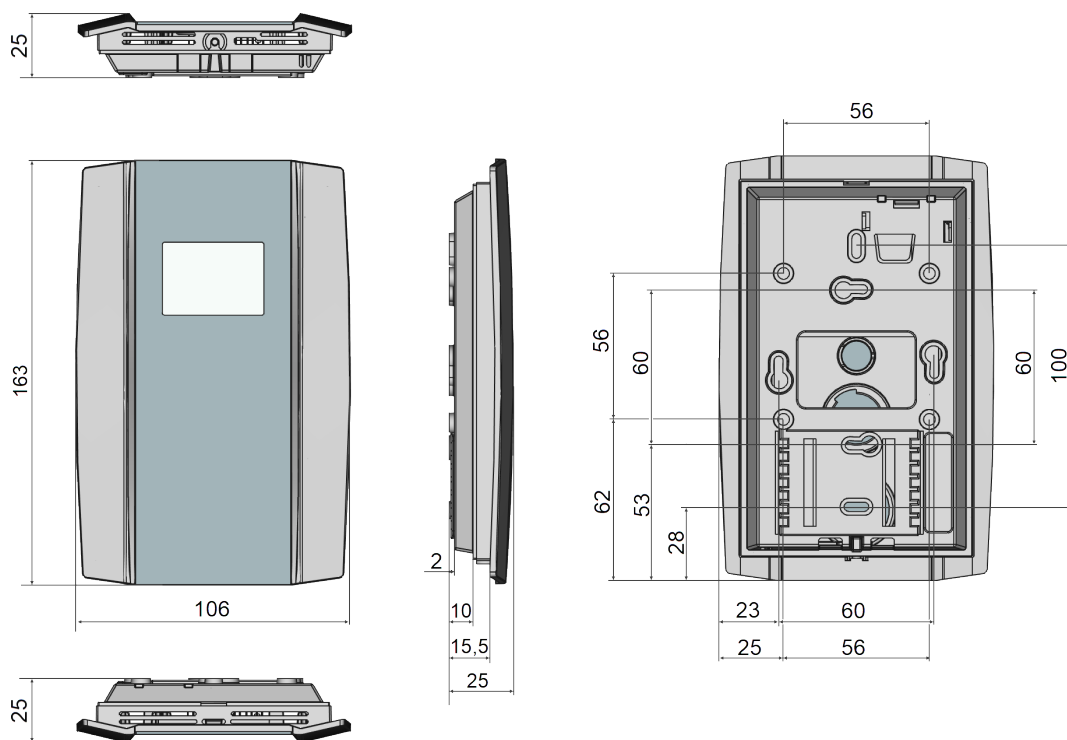
Output signal	0..10 V 1..10 V 2..10 V 0..5 V 1..5 V
Unit system	SI Imperial
Measuring value	Selection of output variables Assignment of the output channels
Output signal range	-50..+50 0..+50 -15..+35 -20..+80 °C
Display	Brightness RGB behavior – measuring value - thresholds
Miscellaneous	Offset / Wall correction factors Maintenance / Service Intervals

On the bottom there is the micro USB port for the Bluetooth dongle

If the Bluetooth dongle is connected to the device, the device can be configured via Bluetooth with the NOVOSapp



» DIMENSIONS (MM)



» ACCESSORIES (OPTIONAL)

Rawplugs and screws (2 pcs. each)

Bluetooth dongle

PSU-UP24 – flush mount power supply 24 V (AC Input: 100..240 V ~ | DC Output 24 V = 0,5 A)

Item No. 102209

Item No. 668262

Item No. 645737